

**4. Motor protection - and switching unit**  
**4.2.2-GB Switching unit for 3~ motors with two speeds**  
**(Y/▲ change-over)**

Type: **S-DT2S(K)T**

**Examples of applications for switching 3~ fans in two steps**

Manual 2-step speed change-over (Y/▲) of one or more 3~ fans e. g. in:  
 heat exchangers (as warm-air heaters), hoods, ventilation of rooms.

- Via potential-free contact (e. g. of thermostat type SRE1G) the device can be switched ON / OFF in the preselected step. Thus simple temperature control is accomplished.
- Type S-DT2SKT includes potential-free and 230 V power on contacts for the connection of damper control motors or gas valves (hoods application) (see connection example on back).

**Equipment**

**Enclosed version IP 54**

- Restart the drive unit after cooling by switching off and back on
- Remote control (ON/OFF) via potential-free contact (terminals "RT"- "RT").
- Motor protection using thermocontact connection (terminals "TK"- "TK"). Automatic switch-off by motor over-temperature. Restart after cooling the drive unit by switch-off and after that switch on the mains voltage or by step-switch ("reset").
- A power on lamp and a control fuse are integrated.
- Automatic switch on after power failure.
- Type S-DT2SKT (additional power on contacts)
  - Potential-free changer (terminals 11, 12, 14)
  - 230 V switched and constant voltage

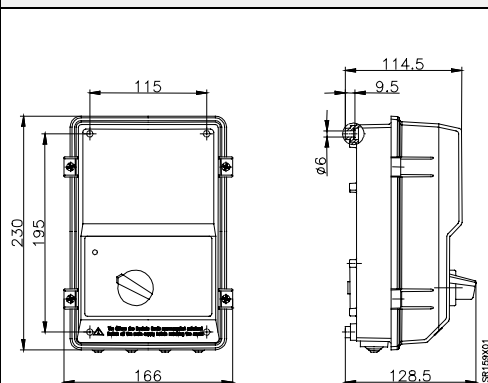
Type: **S-DT2ST** Part-No. 301024  
 Type: **S-DT2SKT** Part-No. 301034 (add. contacts)



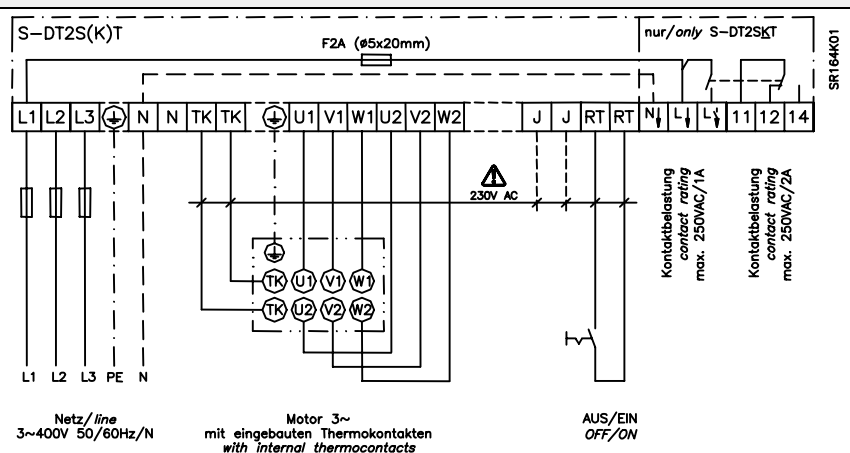
**Technical data**

- Line voltage 3~ 400 V, 50/60 Hz
- Rated current 10 A
- Max. power of motor 4 kW
- Max. line fuse 10 A
- Internal equipment fuse T 2 A (5x 20 mm)
- Max. ambient temperature + 40° C
- Max. contact load (type S-DT2SKT)
  - Potential-free changer (terminals 11, 12, 14) 250 V AC / 2 A
  - 230 V switched and constant voltage max. 1 A
- Protection class IP54
- Weight approx. 1.1 kg
- Plastic housing (ABS)
  - top: light grey RAL 7035
  - bottom: dark-grey marbled UN 7005

**Dimension sheet**



**Connection diagram**



Ziehl-Abegg AG  
 Heinz-Ziehl-Straße  
 D-74653 Künzelsau

Tel.: +49 (0) 7940 16-0  
 Fax: +49 (0) 7940 16-200  
 info@ziehl-abegg.de <http://www.ziehl-abegg.de>

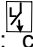


## Connection example for damper control motors

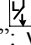

Connection of damper control motors (different models) is possible via the potential-free contacts or via the 230 V contacts of the power on relay. This relay rises, if the device is activated and the fan is running. By switching off via remote control (terminals "RT"-RT") or in case of motor fault (interruption terminals "TK"-TK") the relay falls off.

For damper control motors with "single-wire-control" connection with constant voltage (also in switch position "0") for "damper CLOSE".

### For motors with "single-wire-control"

- damper "OPEN": if fan is running, 230 V at terminal 
- damper "CLOSE": constant voltage at terminal L, if fan is not running (also in switch position "0")

### For motors with "spring return"

- damper "OPEN": if fan is running, 230 V at terminal 
- damper "CLOSE": via spring return (if no voltage at )

### For motors with "2-wire-control"

- damper "OPEN": if fan is running, voltage at terminal 14
- damper "CLOSE": voltage at terminal 12, fan is not running (also in switch position "0")

